

teknion savera



teknion

Savera® demonstrates that a classic silhouette can co-exist with comfort and performance, at an exceptionally affordable price. Savera is a full line of ergonomic seating—one design that takes many forms. Model variations include mid-back or high-back chair, oversized XL version with a wider scale and a stool model. Different mechanism styles, arm options and adjustment features suit a range of functional and budgetary needs. A dual upholstery option allows the look of the chair to be tailored to its setting.





savera synchro-tilt
mid-back
Upholstery: *Ample, Vortex*
Base: *Ebony*

features

shaped for comfort

- Curved back provides a body-contour fit for superior support and comfort
- Back height enhances support of the upper body to alleviate shoulder and neck stress
- Molded foam seat helps distribute weight evenly, to ease body pressure while seated
- Arm options of 2D, 4D, fixed or no arms available to meet diverse applications

adjustments

- Mechanism: synchro-tilt, swivel-tilt and multi-tilt models are available for varied back/seat recline adjustment options
- Synchro-tilt: features a 3:1 ratio—for every three degrees of back tilt, the seat tilts one degree for a total back tilt of 24 degrees
- Multi-tilt: allows for independent adjustment of the back angle and seat tilt. Includes rear/forward seat tilt/lock and infinite position back tilt/lock for precise user fit
- Swivel-tilt: back locks in upright position or free flows. Does not include seat angle adjustment

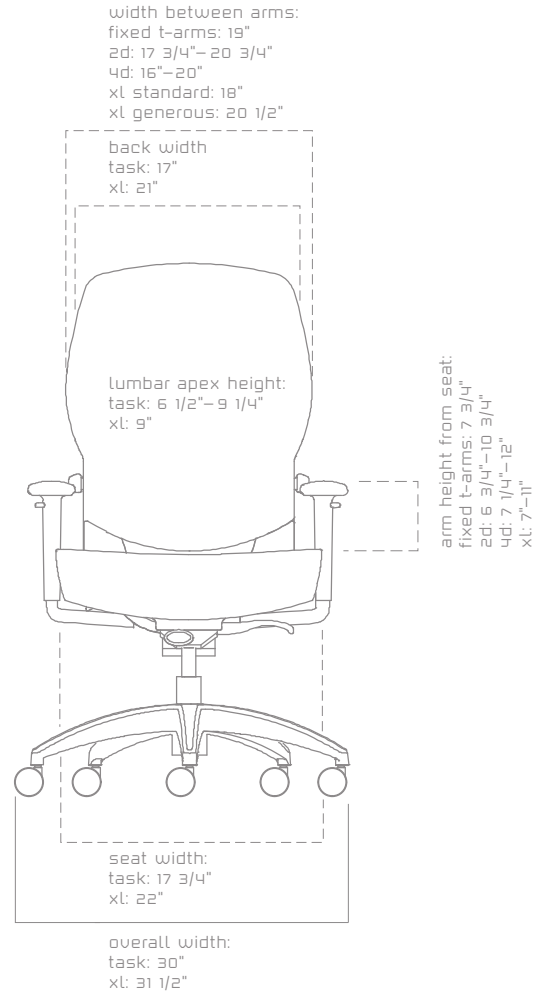
- Lumbar height: adjusts up and down 2.75 inches as the integrated lumbar support mechanism flexes in and out, continuously conforming to the shape of the back
- Arm height: soft, urethane armrests easily adjust over a range of 4 inches, allowing users to find a natural position and reduce discomfort in the arms, shoulders and neck
- Arm width/depth/pivot: adjustment range of 3 inches in width and 2 1/4 inches in depth permits users to position arms to suit individual body type and preference

- Seat height: three cylinder styles offer adjustment ranges of 3, 4 and 5 inches, allowing users to position seat height to suit personal size and preferences
- Tilt tension: easy-to-adjust side tension adjustment tailors the chair's tilt resistance to personal size, weight and preference
- Seat depth: a 2-inch depth range promotes proper contact with the chair back, reducing pressure behind the knees and improving circulation and comfort

- Tilt control: the back tilt can be set in upright, free-flow movement or a four-position tilt lock to provide appropriate support in multi-task situations
- Weight capacity: 275 lb (125 kg) on swivel-tilt task and swivel stool; 300 lb (136 kg) on synchro-tilt and multi-tilt; 400 lb (182 kg) on XL model



savera family
Left to right: Mid-back, high-back and XL mid-back with synchro-tilt mechanism; mid-back with multi-tilt mechanism; swivel stool with height-adjustable footring



www.teknion.com

IN CANADA
 1150 Flint Road
 Toronto, Ontario
 M3J 2J5 Canada
 Tel 866.teknion
 866.835.6466

IN THE USA
 350 Fellowship Road
 Mt Laurel, New Jersey
 08054 USA
 Tel 877.teknion
 877.835.6466

OTHER OFFICES LOCATED IN
 Europe, South and Central America,
 Middle East, Asia and Russia
 For regional contact information
 go to www.teknion.com

CAN/US/INT 10-17
 ©Teknion 2017

®, ™ trade marks of Teknion
 Corporation and/or its subsidiaries or
 licensed to it. Patents may be pending.

