

TEKNION CORPORATION
IN CANADA:
1150 FLINT ROAD
TORONTO, ONTARIO
M3J 2J5 CANADA
TEL 416.661.3370
FAX 416.661.4586

IN THE USA:
350 FELLOWSHIP ROAD
MT LAUREL, NEW JERSEY
08054 USA
TEL 877.TEKNION
877.835.6466
FAX 856.552.5088

OTHER OFFICES LOCATED IN:
EUROPE
SOUTH AND CENTRAL AMERICA
MIDDLE EAST
ASIA
RUSSIA
FOR REGIONAL CONTACT
INFORMATION GO TO
www.teknion.com

TEKNION EMBRACES CHANGE AND ITS INNATE POSSIBILITIES. OUR CULTURE IS ONE OF INNOVATION. IN THAT SPIRIT, WE HAVE STEPPED FORWARD TO INTEGRATE SUSTAINABLE PRINCIPLES AND PRACTICES INTO THE DESIGN, MANUFACTURING AND MARKETING OF OUR PRODUCTS.

TEKNION PRODUCTS PERFORM INDEPENDENTLY AND IN CONCERT, COMBINING IN VIRTUALLY UNLIMITED CONFIGURATIONS. OUR PHILOSOPHY EMBRACES DESIGN AS ONE OF THE BEST TOOLS WE HAVE FOR REALIZING THE BENEFITS OF BUSINESS, WHILE ALSO STRIVING TO REACH SUSTAINABLE GOALS.

WE HAVE LEARNED FROM DESIGN THAT CHANGING A SINGLE DETAIL ALTERS THE WHOLE. EVERY INCH MAKES A DIFFERENCE. EVERY LEAP IS THE SUM OF MANY SMALL STEPS.

TEKNION CREATES FURNITURE THAT CONNECTS PEOPLE, TECHNOLOGY AND SPACES; INTEGRATED DESIGN WITH NEW POSSIBILITIES FOR A HEALTHY, PRODUCTIVE WORLD TOMORROW AND THE DAY AFTER.

CAN/US/INT 05-10

©TEKNION 1998-2010

®, ™ TRADE MARKS OF TEKNION CORPORATION AND /OR ITS SUBSIDIARIES OR LICENSED TO IT. PATENTS MAY BE PENDING. SOME PRODUCTS MAY NOT BE AVAILABLE IN ALL MARKETS. CONTACT YOUR LOCAL TEKNION REPRESENTATIVE FOR AVAILABILITY.

BROCHURE DESIGN: VANDERBYL DESIGN PRINTED IN CANADA SBO40079



amicus



ERGONOMICS, PERFORMANCE

Amicus® is a fully integrated family of ergonomic seating designed to function for any task or office setting. Highly adjustable, Amicus offers multiple enhanced ergonomic features based on how people sit and move over the course of a day. The line includes task seating which offers users heightened performance, a general use chair for short-term applications and a guest chair with three leg styles.

SEAT FLEX ZONES

Amicus encourages movement and good posture through a combination of seat pan contour, foam density and unique flex zones designed to balance the distribution of body weight. These features prevent the body from locking into place and allow users to move freely while seated, promoting circulation and healthy sitting.

DESIGNED FOR THE ENVIRONMENT

- Meets the most stringent GREENGUARD® Certification for Children & Schools Indoor Air Quality
- Task and general use chairs are 92.5 percent recyclable
- Guest chairs are 90 percent recyclable



^
^
MODEL:
Task chair, mid-back
UPHOLSTERY:
Leather, Black

^
^
MODEL:
Task chair, mid-back
UPHOLSTERY:
*PolyBamboo, Rain, Ebony;
Leather, Black*

^
^
MODEL:
Task chair, high-back
UPHOLSTERY:
Leather, Black

^
^
MODEL:
Task chair, mid-back
UPHOLSTERY:
PolyBamboo, Rain, Ebony

^
^
MODEL:
General use chair, mid-back
UPHOLSTERY:
Leather, Black

Amicus adjustments

1. **LUMBAR HEIGHT**
Task model lumbar height adjusts 4 inches to help promote individual comfort.

2. **ARM HEIGHT**
Adjustable arm options include 3D Arms (shown) and 2D Arms. Both arm styles move up or down 4 inches to help improve comfort in the arms, shoulders and neck.

3. **ARM CAP PIVOT**
3D arm caps rotate 45 degrees inward and 15 degrees outward to more precisely align with the body.

4. **ARM WIDTH**
Independent adjustment positions the distance between arms to the user and task. 3D and 2D Arms adjust up to a total of 2.5 inches.

5. **TILT TENSION**
Easy-to-adjust side tension adjustment tailors the chair's tilt resistance to personal size, weight and preference.

6. **SEAT HEIGHT**
Three cylinder styles offer adjustment ranges of 3, 4 and 5 inches to suit personal size and preference.

7. **SEAT DEPTH**
A 2.5-inch depth range on task models corresponds with different leg lengths, ensuring proper contact with the chair back which helps reduce pressure behind the knees.

8. **BACK TILT LOCK**
Sets in upright, free-flow or a five-position tilt lock to provide appropriate and preferred support in multi-task situations.



BACK WIDTH
18.5"

OVERALL HEIGHT
MID-BACK: 38"-42"
HIGH-BACK: 41"-45"

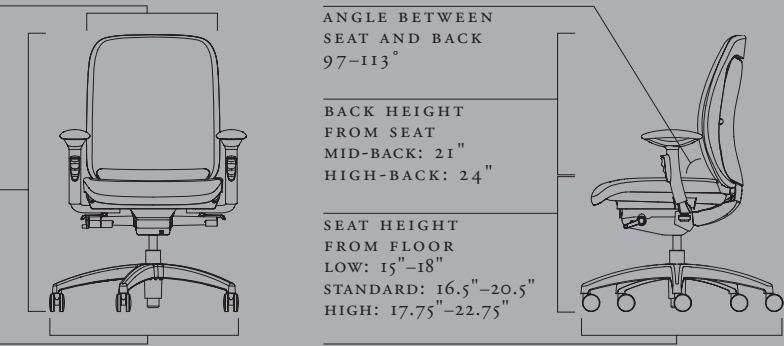
OVERALL WIDTH
30"

ANGLE BETWEEN SEAT AND BACK
97-113°

BACK HEIGHT FROM SEAT
MID-BACK: 21"
HIGH-BACK: 24"

SEAT HEIGHT FROM FLOOR
LOW: 15"-18"
STANDARD: 16.5"-20.5"
HIGH: 17.75"-22.75"

OVERALL DEPTH
30"



3D ARM

Designed to fine-tune support to user size, preference and work orientation, the 3D Arm adjusts in height, width and arm cap rotation.



2D ARM

The 2D Arm offers a moderate level of adjustability with height and width variances.



LOOP ARM

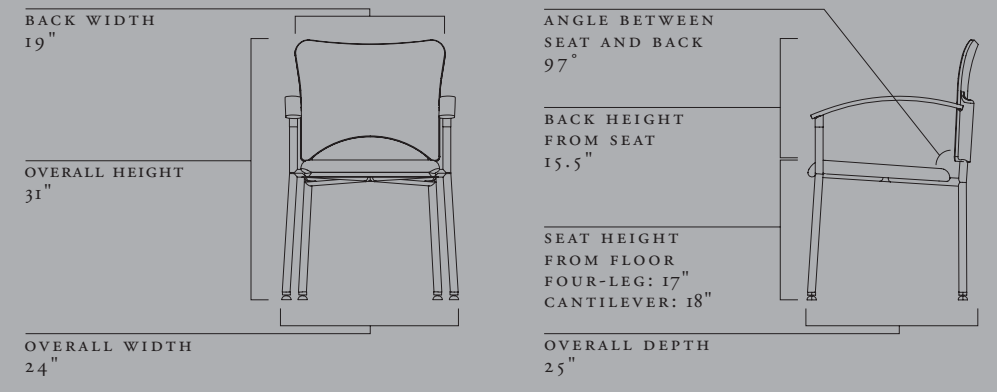
The Loop Arm is fixed, suitable for use with the general task chair in less task-intensive applications.



Amicus guest chair

The Amicus guest chair features a distinctive curvilinear profile complementary to the task and general use chairs. Lightly scaled, it is well suited for private offices, conference rooms or reception areas.

- FEATURES**
- Available in a choice of models, including cantilever frame, four-leg frame and four-leg frame with casters
 - The chair features a black plastic back with the option of an upholstered inner back
 - Models are available with integrated arms or without arms



^
MODEL: Upholstered inner back, four-leg frame
UPHOLSTERY: Leather, Black
FRAME: Mica, Silver

^
MODEL: Plastic back, cantilever frame
UPHOLSTERY: Leather, Black
FRAME: Mica, Silver

^
MODEL: Plastic back, four-leg frame
UPHOLSTERY: Leather, Black
FRAME: Mica, Silver

^
MODEL: Upholstered inner back, four-leg frame with casters
UPHOLSTERY: Leather, Black
FRAME: Mica, Silver