

Catifa 46

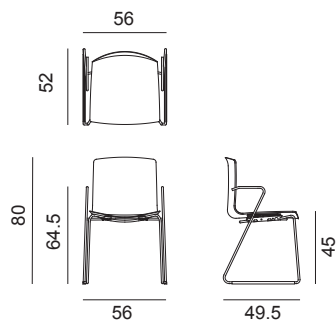
Design by Lievore Altherr Molina, 2004

Art. 0287

Chair with chromed steel sled base fitted with armrests. The shell is available in single-colour polypropylene, bi-colour polypropylene or upholstered in hard leather grade 1 (CT) or hard leather grade 2 (CU). Glides for wooden floors available upon request.



Dimensions *



* File CAD 2D - 3D available for download at www.arper.com

Frame Base



CRO

Shell

Polypropylene



PO
Polypropylene
two colors



PO
Polypropylene
one color

Hard leather Grade 1 and Grade 2



CT



CU

arper

F +39 0422 791800

T +39 0422 7918

www.arper.com

Catifa 46

Design by Lievore Altherr Molina, 2004

Accessories:



Link Art. 0258



Stacking protection pad with link Art. 0260



Cushion Art. 0261



Stacking protection pad Art. 0262



Writing tablet Art. 0264



Basket Art. 0265



Trolley Art. 0760

SHIPMENT DETAILS

Art.0287

- 1 pz = 2 - kg 10,62/ m² 0,3
- 4 pz = 2 - kg 35,7/ m² 0,39

RESISTANCE TEST

- EN 1728:2000 - EN 15373:2007 6.12
- EN 1728:2000 - EN 15373:2007 6.17
- EN 1728:2000 - EN 15373:2007 6.2.2
- EN 1728:2000 - EN 15373:2007 6.7
- EN 1022:05
- EN 1728:2000 - EN 15373:2007 6.15
- EN 1728:2000 - EN 15373:2007 6.2.1
- EN 1728:2000 - EN 15373:2007 6.6
- EN 1728:2000 - EN 15373:2007 6.8
- TUV GS (EN16139)

ENVIRONMENTAL CERTIFICATIONS



TECHNICAL SPECIFICATIONS

Art.0287

Stainless steel rod sled base available upon request with a surcharge.
Stackability: only without tablet arm.

FIRE RETARDANT TEST

BS5852/90 Sez.5 cigarette match polypropylene • Classe 1
polypropylene • EN 1021 -1/2 polypropylene • M2 polypropylene •
California TB133 polypropylene • BS5852 Sch. 5 Part 1 CT CU

Stackability:

- Up to 10 pcs. (should the weight exceed 25 kilos a handling tool must be used).
- With trolley: up to 20 pcs.
- CT/CU versions: max. 5 pcs. With stacking pad.
- With writing table: 5 pcs.
- With writing table and trolley: 8 pcs.

arper

F +39 0422 791800

T +39 0422 7918

www.arper.com

Catifa 46

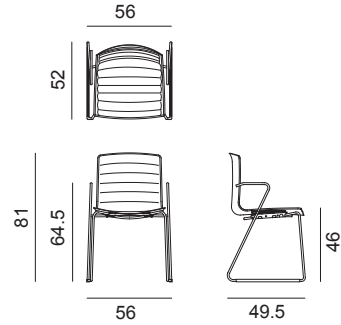
Design by Lievore Altherr Molina, 2004

Art. 0289

Chair with chromed steel sled base and shell upholstered in leather, faux leather, fabric or customer's own material. Glides for wooden floors available upon request.



Dimensions *



* File CAD 2D - 3D available for download at www.arper.com

Frame Base



CRO

Shell

Carded In



Graded In

kvadrat

camira



DESIGN
TEX



Gabriel



svensson

maharam

SergeFerrari

Catifa 46

Design by Lievore Altherr Molina, 2004

Accessories:



Link Art. 0258



Writing tablet Art. 0264



Basket Art. 0265



Stacking protection pad with link Art. 0277



Stacking protection pad Art. 0499



Trolley Art. 0760

SHIPMENT DETAILS

Art.0289

1 pz = 2 - kg 11,92/ m² 0,32
4 pz = 2 - kg 41,7/ m² 0,45

TECHNICAL SPECIFICATIONS

Art.0289

COL requirement m² 1.67
H 140 cm. COM Meterage ml 1.1
Line stitching
Stainless steel rod sled base available upon request with a surcharge.
Stackability: only without tablet arm.

RESISTANCE TEST

- EN 1728:2000 - EN 15373:2007 6.12
- EN 1728:2000 - EN 15373:2007 6.17
- EN 1728:2000 - EN 15373:2007 6.2.2
- EN 1728:2000 - EN 15373:2007 6.7
- EN 1022:05
- EN 1728:2000 - EN 15373:2007 6.15
- EN 1728:2000 - EN 15373:2007 6.2.1
- EN 1728:2000 - EN 15373:2007 6.6
- EN 1728:2000 - EN 15373:2007 6.8
- TUV GS (EN16139)

FIRE RETARDANT TEST

Classe 1IM Cava 3 Divina MD Divina Melange 2 Divina 3 Hallingdal 65 Pro 3 Soft leather Tonus 4 Faux leather Valencia • California TB117-2013 Cava 3 Clara Canvas Divina MD Divina Melange 2 Divina 3 Soft leather Elmosoft Field Hallingdal 65 Jet Jumper 3 Pro 3 Soft leather Remix 2 Savanna Steelcut 2 Scuba Steelcut Trio 2 Steelcut Trio 3 Sunniva Sunniva 2 Tonus 4 Tempo Faux leather Valencia • BS5852 Sch. 4 Part 1 Cava 3 Divina MD Divina Melange 2 Divina 3 Soft leather Elmosoft Hallingdal 65 Pro 3 Tonus 4 Faux leather Valencia • BS5852 Sch. 5 Part 1 Cava 3 Clara Canvas Divina MD Divina Melange 2 Divina 3 Soft leather Elmosoft Hallingdal 65 Soft leather Remix 2 Savanna Steelcut 2 Steelcut Trio 2 Steelcut Trio 3 Tonus 4 Faux leather Valencia • EN 1021 - 1 Divina MD Divina Melange 2 Divina 3 Soft leather Elmosoft Field Hallingdal 65 Pro 3 Soft leather • EN 1021 - 2 Divina MD Divina Melange 2 Divina 3 Soft leather Elmosoft Field Hallingdal 65 Pro 3 Soft leather

ENVIRONMENTAL CERTIFICATIONS



Stackability:

- With stacking protection pad: up to 8 pcs. (should the weight exceed 25 kilos a handling tool must be used).
- With stacking protection pad and trolley: up to 8 pcs.
- Soft leather - faux leather versions: max. 5 pcs. with stacking pad
- With writing table: 5 pcs.
- With writing table and trolley: 5 pcs.

Catifa 46

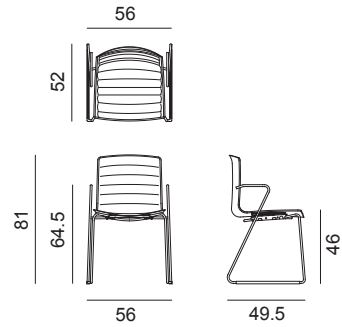
Design by Lievore Altherr Molina, 2013

Art. 0313

Chair with chromed steel sled base and polypropylene shell upholstered with a removable non-washable cover in leather, faux leather, fabric or customer's own material. The chair is provided already fitted with the cover. Glides for wooden floors available upon request.



Dimensions *



* File CAD 2D - 3D available for download at www.arper.com

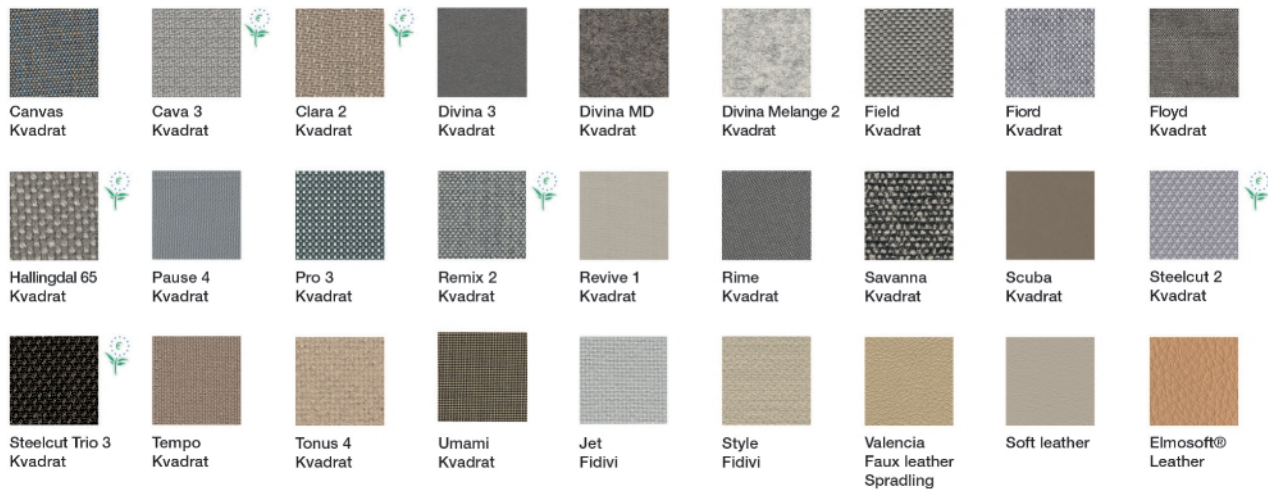
Frame Base



CRO

Shell

Carded In



Graded In

kvadrat

camira



DESIGN
TEX



Gabriel



svensson

maharam

SergeFerrari

Catifa 46

Design by Lievore Altherr Molina, 2013

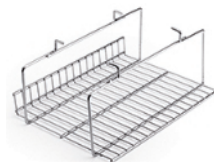
Accessories:



Link Art. 0258



Writing tablet Art. 0264



Basket Art. 0265



Stacking protection pad with link Art. 0277




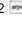
Stacking protection pad Art. 0499



Trolley Art. 0760

SHIPMENT DETAILS

Art.0313

1 pz = 2  - kg 11,92/ m² 0,32
4 pz = 2  - kg 41,7/ m² 0,45

TECHNICAL SPECIFICATIONS

Art.0313

COL requirement m² 1,98
H 140 cm. COM Meterage ml 1,08. The cover stitching comes in the same color as the upholstery. Stitching on cover 1 and 3 comes in white or black, to customer's choice.
Stainless steel rod sled base available upon request with a surcharge.

RESISTANCE TEST

- EN 1728:2000 - EN 15373:2007 6.12
- EN 1728:2000 - EN 15373:2007 6.17
- EN 1728:2000 - EN 15373:2007 6.2.2
- EN 1728:2000 - EN 15373:2007 6.7
- EN 1022:05
- EN 1728:2000 - EN 15373:2007 6.15
- EN 1728:2000 - EN 15373:2007 6.2.1
- EN 1728:2000 - EN 15373:2007 6.6
- EN 1728:2000 - EN 15373:2007 6.8

FIRE RETARDANT TEST

Classe 1IM Cava 3 Divina MD Divina Melange 2 Divina 3 Hallingdal 65 Pro 3 Soft leather Tonus 4 Faux leather Valencia • California TB117-2013 Cava 3 Clara Canvas Divina MD Divina Melange 2 Divina 3 Soft leather Elmosoft Field Hallingdal 65 Jet Jumper 3 Pro 3 Soft leather Remix 2 Savanna Steelcut 2 Scuba Steelcut Trio 2 Steelcut Trio 3 Sunniva Sunniva 2 Tonus 4 Tempo Faux leather Valencia • BS5852 Sch. 4 Part 1 Cava 3 Divina MD Divina Melange 2 Divina 3 Soft leather Elmosoft Hallingdal 65 Pro 3 Tonus 4 Faux leather Valencia • BS5852 Sch. 5 Part 1 Cava 3 Clara Canvas Divina MD Divina Melange 2 Divina 3 Soft leather Elmosoft Hallingdal 65 Soft leather Remix 2 Savanna Steelcut 2 Steelcut Trio 2 Steelcut Trio 3 Tonus 4 Faux leather Valencia • EN 1021 - 1 Divina MD Divina Melange 2 Divina 3 Soft leather Elmosoft Field Hallingdal 65 Pro 3 Soft leather • EN 1021 - 2 Divina MD Divina Melange 2 Divina 3 Soft leather Elmosoft Field Hallingdal 65 Pro 3 Soft leather

ENVIRONMENTAL CERTIFICATIONS



Stackability:

- With stacking protection pad: up to 8 pcs. (should the weight exceed 25 kilos a handling tool must be used).
- With stacking protection pad and trolley: up to 8 pcs.
- Soft leather - faux leather versions: max. 5 pcs. with stacking pad

Catifa 46

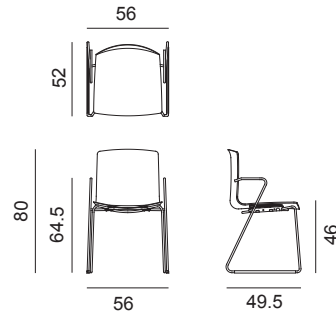
Design by Lievore Altherr Molina, 2014

Art. 0327

Chair with chromed steel sled base, fitted with armrests. Wood shell with front upholstery in leather, faux leather, fabric or customer's own material. Glides for wooden floors available upon request without surcharge.



Dimensions *



* File CAD 2D - 3D available for download at www.arper.com

Frame Base



CRO

Shell

Wood



L0020

L0021

L0022

Carded In



Graded In

kvadrat

camira



DESIGN
TEX



Gabriel



svensson

maharam

Serge Ferrari

Catifa 46

Design by Lievore Altherr Molina, 2014

Accessories:



Link Art. 0258



Writing tablet Art. 0264



Basket Art. 0265



Stacking protection pad with link Art. 0277




Stacking protection pad Art. 0499




Trolley Art. 0760

SHIPMENT DETAILS

Art.0327

1 pz = 2  - kg 13,32/ m² 0,33

4 pz = 2  - kg 43,12/ m² 0,46

TECHNICAL SPECIFICATIONS

Art.0327

COL requirement m² 0.84

H 140 cm. COM Meterage ml 0.65

Stainless steel rod sled base available upon request with a surcharge.

Stackability: only without tablet arm.

RESISTANCE TEST

FIRE RETARDANT TEST

BS5852 Sch. 4 Part 1 Faux leather Valencia

ENVIRONMENTAL CERTIFICATIONS

Stackability:

- With stacking protection pad: up to 8 pcs. (should the weight exceed 25 kilos a handling tool must be used).
- With stacking protection pad and trolley: up to 8 pcs.
- Soft leather - faux leather versions: max. 5 pcs. with stacking pad
- With writing table: 5 pcs.
- With writing table and trolley: 5 pcs.

arper

F +39 0422 791800

T +39 0422 7918

www.arper.com

Catifa 46

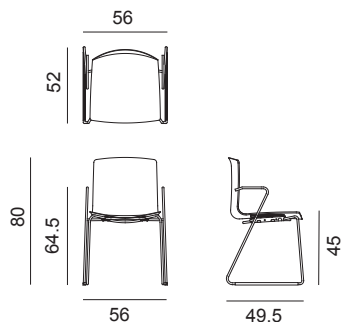
Design by Lievore Altherr Molina, 2004

Art. 0387

Chair with chromed steel sled base fitted with armrests. The wood shell is available in three finishes (natural oak, bleached oak, wengé). Glides for wooden floors available upon request.



Dimensions *



* File CAD 2D - 3D available for download at www.arper.com

Frame Base



CRO

Shell

Wood



L0020

L0021

L0022

arper

F +39 0422 791800

T +39 0422 7918

www.arper.com

Catifa 46

Design by Lievore Altherr Molina, 2004

Accessories:



Link Art. 0258



Cushion Art. 0261



Writing tablet Art. 0264



Basket Art. 0265



Stacking protection glide Art. 0286



Trolley Art. 0760

SHIPMENT DETAILS

Art.0387

- 1 pz = 2 - kg 10,1/ m² 0,3
- 4 pz = 2 - kg 33,6/ m² 0,4

RESISTANCE TEST

- EN 1728:2000 - EN 15373:2007 6.12
- EN 1728:2000 - EN 15373:2007 6.6
- EN 1728:2000 - EN 15373:2007 6.17
- TUV GS (EN16139)

ENVIRONMENTAL CERTIFICATIONS



TECHNICAL SPECIFICATIONS

Art.0387

Stainless steel rod sled base available upon request with a surcharge.
Stackability: only without tablet arm.

FIRE RETARDANT TEST

BS5852/90 Sez.5 cigarette match LG • Classe 1 LG

Stackability:

- With stacking glide: up to 10 pcs. (should the weight exceed 25 kilos a handling tool must be used).
- With stacking glide and trolley: up to 10 pcs.
- With writing table: 5 pcs.
- With writing table and trolley: 5 pcs.

arper

F +39 0422 791800

T +39 0422 7918

www.arper.com

Catifa 46

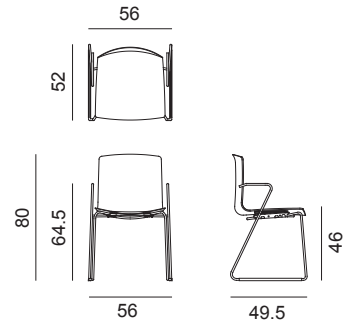
Design by Lievore Altherr Molina, 2012

Art. 0454

Chair with chromed steel sled base, fitted with armrests. Polypropylene shell with cushion upholstered in fabric, leather, faux leather or customer's own material applied to the seat surface. Glides for wooden floors available upon request.



Dimensions *



* File CAD 2D - 3D available for download at www.arper.com

Frame Base



CRO

Shell

Polypropylene



PO
Polypropylene
two colors

PO
Polypropylene
one color

Carded In



Graded In

kvadrat

camira



DESIGN
TEX



Gabriel



svensson

maharam

Serge Ferrari

Catifa 46

Design by Lievore Altherr Molina, 2012

Accessories:



Link Art. 0258



Writing tablet Art. 0264



Basket Art. 0265



Stacking protection pad with link Art. 0277



Stacking protection pad Art. 0499



Trolley Art. 0760

SHIPMENT DETAILS

Art.0454

1 pz = 2 - kg 13,32/ m² 0,33
4 pz = 2 - kg 43,12/ m² 0,46

TECHNICAL SPECIFICATIONS

Art.0454

COL requirement m² 0.48
H 140 cm. COM Meterage ml 0.59
Stainless steel rod sled base available upon request with a surcharge.
Stackability: only without tablet arm.

RESISTANCE TEST

- EN 1728:2000 - EN 15373:2007 6.12
- EN 1728:2000 - EN 15373:2007 6.17
- EN 1728:2000 - EN 15373:2007 6.2.2
- EN 1728:2000 - EN 15373:2007 6.7
- EN 1022:05
- EN 1728:2000 - EN 15373:2007 6.15
- EN 1728:2000 - EN 15373:2007 6.2.1
- EN 1728:2000 - EN 15373:2007 6.6
- EN 1728:2000 - EN 15373:2007 6.8

FIRE RETARDANT TEST

Classe 1M Cava 3 Divina MD Divina Melange 2 Divina 3 Hallingdal 65 Pro 3 Soft leather Tonus 4 Faux leather Valencia • California TB117-2013 Cava 3 Clara Canvas Divina MD Divina Melange 2 Divina 3 Soft leather Elmosoft Field Hallingdal 65 Jet Jumper 3 Pro 3 Soft leather Remix 2 Savanna Steelcut 2 Scuba Steelcut Trio 2 Steelcut Trio 3 Sunniva Sunniva 2 Tonus 4 Tempo Faux leather Valencia • BS5852 Sch. 4 Part 1 Cava 3 Divina MD Divina Melange 2 Divina 3 Soft leather Elmosoft Hallingdal 65 Pro 3 Tonus 4 Faux leather Valencia • BS5852 Sch. 5 Part 1 Cava 3 Clara Canvas Divina MD Divina Melange 2 Divina 3 Soft leather Elmosoft Hallingdal 65 Soft leather Remix 2 Savanna Steelcut 2 Steelcut Trio 2 Steelcut Trio 3 Tonus 4 Faux leather Valencia • EN 1021 - 1 Divina MD Divina Melange 2 Divina 3 Soft leather Elmosoft Field Hallingdal 65 Pro 3 Soft leather • EN 1021 - 2 Divina MD Divina Melange 2 Divina 3 Soft leather Elmosoft Field Hallingdal 65 Pro 3 Soft leather

ENVIRONMENTAL CERTIFICATIONS



Stackability:

- With stacking protection pad: up to 8 pcs. (should the weight exceed 25 kilos a handling tool must be used).
- With stacking protection pad and trolley: up to 8 pcs.
- Soft leather - faux leather versions: max. 8 pcs. with stacking pad
- With writing table: 5 pcs.
- With writing table and trolley: 5 pcs.

Catifa 46

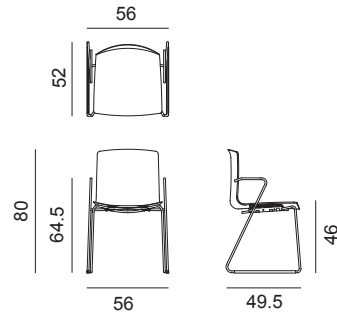
Design by Lievore Altherr Molina, 2004

Art. 0470

Chair with chromed steel sled base, fitted with armrests. Polypropylene shell with front upholstery in leather, faux leather, fabric or customer's own material. Glides for wooden floors available upon request.



Dimensions *



* File CAD 2D - 3D available for download at www.arper.com

Frame Base



CRO

Shell

Polypropylene



PO
Polypropylene
one color

Carded In



Graded In

kvadrat

camira



DESIGN
TEX



Gabriel



svensson

maharam

Serge Ferrari

Catifa 46

Design by Lievore Altherr Molina, 2004

Accessories:



Link Art. 0258



Writing tablet Art. 0264



Basket Art. 0265



Stacking protection pad with link Art. 0277



Stacking protection pad Art. 0499



Trolley Art. 0760

SHIPMENT DETAILS

Art.0470

- 1 pz = 2 - kg 13,32/ m² 0,33
- 4 pz = 2 - kg 43,12/ m² 0,46

TECHNICAL SPECIFICATIONS

Art.0470

- COL requirement m² 0.84
- H 140 cm. COM Meterage ml 0.65
- Stainless steel rod sled base available upon request with a surcharge.
- Stackability: only without tablet arm.

RESISTANCE TEST

- EN 1728:2000 - EN 15373:2007 6.12
- EN 1728:2000 - EN 15373:2007 6.17
- EN 1728:2000 - EN 15373:2007 6.2.2
- EN 1728:2000 - EN 15373:2007 6.7
- EN 1022:05
- EN 1728:2000 - EN 15373:2007 6.15
- EN 1728:2000 - EN 15373:2007 6.2.1
- EN 1728:2000 - EN 15373:2007 6.6
- EN 1728:2000 - EN 15373:2007 6.8
- TUV GS (EN16139)

FIRE RETARDANT TEST

Classe 1M Cava 3 Divina MD Divina Melange 2 Divina 3 Hallingdal 65 Pro 3 Soft leather Tonus 4 Faux leather Valencia • California TB117-2013 Cava 3 Clara Canvas Divina MD Divina Melange 2 Divina 3 Soft leather Elmosoft Field Hallingdal 65 Jet Jumper 3 Pro 3 Soft leather Remix 2 Savanna Steelcut 2 Scuba Steelcut Trio 2 Steelcut Trio 3 Sunniva Sunniva 2 Tonus 4 Tempo Faux leather Valencia • BS5852 Sch. 4 Part 1 Cava 3 Divina MD Divina Melange 2 Divina 3 Soft leather Elmosoft Hallingdal 65 Pro 3 Tonus 4 Faux leather Valencia • BS5852 Sch. 5 Part 1 Cava 3 Clara Canvas Divina MD Divina Melange 2 Divina 3 Soft leather Elmosoft Hallingdal 65 Soft leather Remix 2 Savanna Steelcut 2 Steelcut Trio 2 Steelcut Trio 3 Tonus 4 Faux leather Valencia • EN 1021 - 1 Divina MD Divina Melange 2 Divina 3 Soft leather Elmosoft Field Hallingdal 65 Pro 3 Soft leather • EN 1021 - 2 Divina MD Divina Melange 2 Divina 3 Soft leather Elmosoft Field Hallingdal 65 Pro 3 Soft leather

ENVIRONMENTAL CERTIFICATIONS



Stackability:

- With stacking protection pad: up to 8 pcs. (should the weight exceed 25 kilos a handling tool must be used).
- With stacking protection pad and trolley: up to 8 pcs.
- Soft leather - faux leather versions: max. 5 pcs. with stacking pad
- With writing table: 5 pcs.
- With writing table and trolley: 5 pcs.