

qui tables



qui tables

product information

Qui™ tables bring handmade craft and warmth to formal office environments. The sculpted solid wood tables have unique details, such as an inlay in the top surface, to give the appearance of a leg passing through the top. Qui tables are available in a variety of sizes and shapes and six different wood finishes.

Designer	Typology
Monica Armani	Tables
Collection	Year
StudioTK	2015

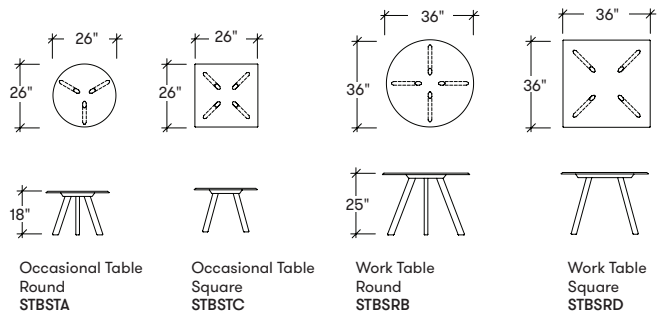
Collection



Fabrics & Finishes

Frame finish
 Basque White Oak, Natural Oak, Sierra, Cocoa Brown, Truffle

Dimensions



Studio TK
 3940 US 70 Business Hwy, West
 Clayton, North Carolina 27520, USA
 Tel: 855.941.0262 / Fax: 919.464.2927
 www.studiotk.com

®, TM Trademarks of teknion corporation and/or its subsidiaries or licensed to it. Patents may be pending. Some products may not be available in all markets. Contact your local Studio TK representative for availability.
 CAN/US/INT 07-15 © Teknion 2017 Printed in Canada SS-095-0030EN

